

NETWORK



STRENGTH YOU CAN TRUST

MARKETING H.Q.
Plot No. 7, 2nd Floor, L.S.C., Pocket - H Market,
Sarita Vihar, New Delhi - 110076 India
Phone: +91 9205687887
E-mail: info@forma-international.com

FORMA
FC FORMA

Contact:



FORMA
EUROPEAN HERITAGE


F Series
RELIABLE • DEPENDABLE • EFFICIENT

FBL96 BACKHOE LOADER

DESIGNED FOR
REBUILDING THE WORLD
BUILT TO PERFORM


4x4
All Terrain Capability




Loader Bucket
Multi - Operational

Capacity: 1.1 cu.m. (Loader)
/0.24 cu.m. (Excavator)
Engine: Kirloskar 96 HP


Power
Steering


Extendable
Dipper Boom

BUILT FOR EXTREME PERFORMANCE

QR Code

FORMA
EUROPEAN HERITAGE

Toll Free Number: 1800-1800-004, www.forma-international.com

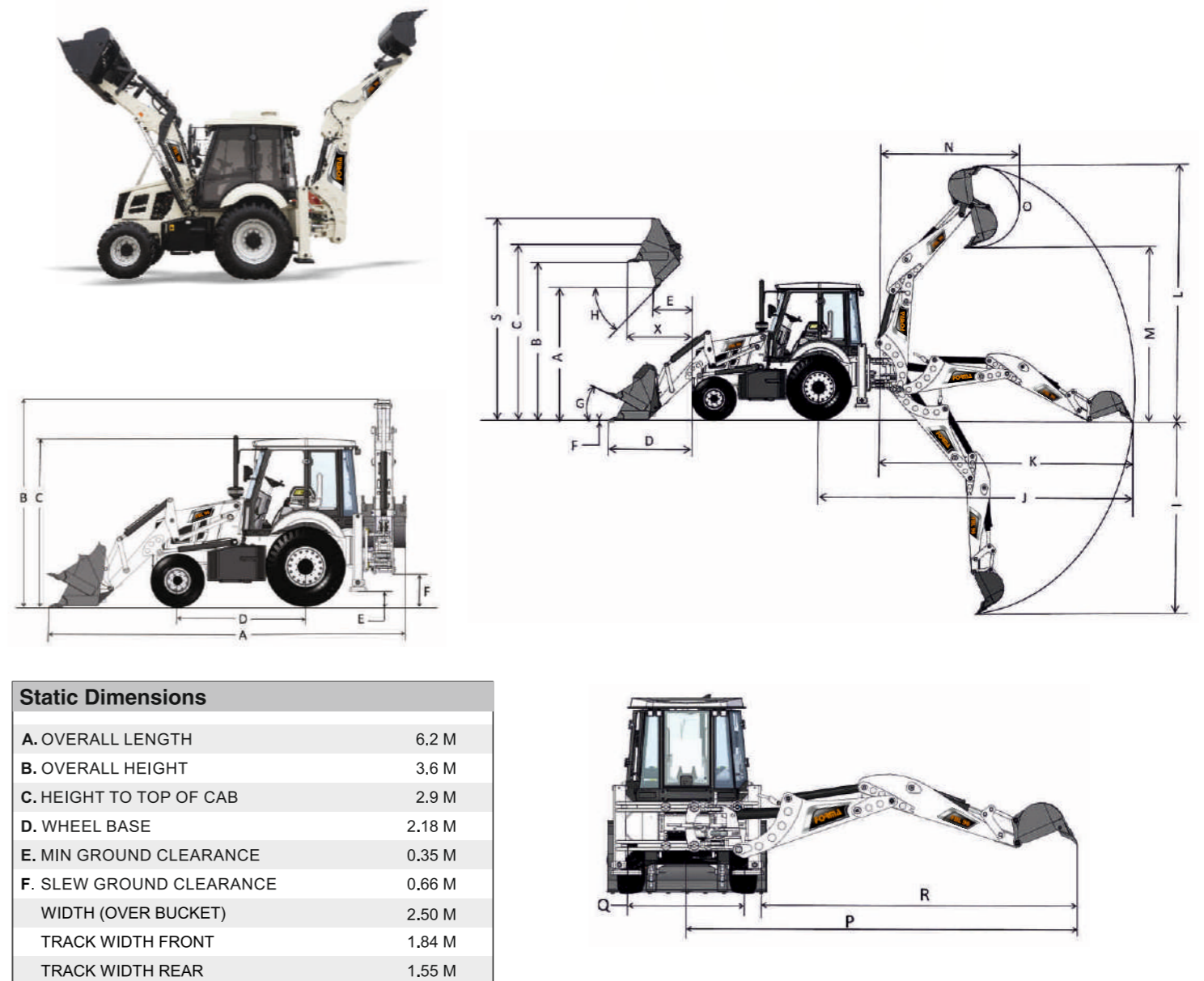
Specifications

FBL 96

Engine	Kirloskar	4R1040TA (BS III) 4 Cylinder, turbo charged, water cooled diesel engine delivering 96 HP @2200 rpm Max Torque : 377Nm @1400 rpm	Electrical System	12V Battery with negative earth and suitable alternator.
Transmission		Synchro shuttle transmission with torque converter & synchronised gear box. Single switch forward-reverse function for better loading application with 4 forward & 4 reverse speeds. Max speed 40 kmph	Turning Radius	<ul style="list-style-type: none"> Without Brake: 4.4 metres With Brake: 3.5 metres
Axle		Front : Drive (In case of 4 WD) & Steer Axle, centrally pivoted Rear : Rigid axle with CARRARO planetary drive.	Refill Capacities	<ul style="list-style-type: none"> Hydraulic Tank: 90 ltrs. Fuel Tank: 150 ltrs. Engine Oil: 11.5 ltrs. Transmission & Torque Converter: 17 ltrs. Rear Axle (Planetary gear box): 3 ltrs. Differential Housing: 14.5 ltrs
Steering		Hydrostatic steering for reliability and better control.	Tyres	<ul style="list-style-type: none"> Front 4WD : 12.5 / 80 – 18-12 PR Rear - Standard: 16.90 - 28 – 12 PR
Brakes		Hydraulically actuated wet disc brakes at rear wheels with twin pedals in cabin for better control. Mechanically actuated disc brakes for parking.	Optional Equipment	<ul style="list-style-type: none"> Front Joy Stick Forks over the Bucket Sun visor Extendible Dipper SRS System Detachable Magnet Beacon Light Quick Coupler for Excavator Bucket AC / HVAC
Cabin		ROPS & FOPS fully enclosed wide view cabin with easy entry and exit	Operating weight	8040 kgs.
Hydraulic System		Main Pump flow : 118 lpm Relief Pressure : 210 bar		

Specifications

FBL 96



Static Dimensions	
A. OVERALL LENGTH	6.2 M
B. OVERALL HEIGHT	3.6 M
C. HEIGHT TO TOP OF CAB	2.9 M
D. WHEEL BASE	2.18 M
E. MIN GROUND CLEARANCE	0.35 M
F. SLEW GROUND CLEARANCE	0.66 M
WIDTH (OVER BUCKET)	2.50 M
TRACK WIDTH FRONT	1.84 M
TRACK WIDTH REAR	1.55 M

Loader Performance	
A. DUMP HEIGHT AT 40°	2.76 M
B. LOADOVER HEIGHT	3.34 M
C. BUCKET PIN HEIGHT	3.63 M
D. REACH AT GROUND	1.77 M
E. REACH AT FULL HEIGHT BUCKET DUMPED (40°)	0.89 M
F. BELOW GROUND LEVEL DIG DEPTH	0.08 M
X. MAX. REACH AT FULL HEIGHT	1.22 M
G. ROLLBACK AT GROUND	44°
H. DUMP ANGLE	45°
LOADER BREAKOUT FORCE ARM	4950 kgf
PAY LOAD	1900 kg
LOADER BUCKET CAPACITY (STD)	1.1 cu.m

Excavator Performance	FORMA		
	Ext.	Ret.	Std.
I. MAX. DIG DEPTH	5.00	4.00 M	4.25 M
J. REACH GROUND LEVEL TO TYRE CENTER	7.74	6.74 M	6.73 M
K. REACH GROUND LEVEL TO SLEW CENTER	6.50	5.40 M	5.50 M
L. MAX. WORKING HEIGHT	6.30	5.48 M	5.47 M
M. MAX. LOADOVER HEIGHT	4.64	3.82 M	3.79 M
N. REACH AT FULL HEIGHT TO SLEW CENTER	3.80	2.88 M	2.78 M
O. BUCKET ROTATION POWER	185° Deg		175° Deg
P. SIDE REACH TO CENTER LINE OF MACHINE	6.81 M	5.81 M	5.59 M
Q. KING POST TRAVEL	0.90 M		0.9 M
BUCKET TEAROUT FORCE	5600 kgf		4000 kgf